

Functional Series

Awning Model



Specialized in Custom Design

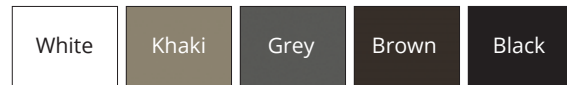
Aluminum structure

**Improved load-bearing capacity with front posts
(available without posts)**

Curved roof with customized pitch

Requires a suitable nailing base

Standard colours



6061-T6 aluminum frame (3/16-inch thick)

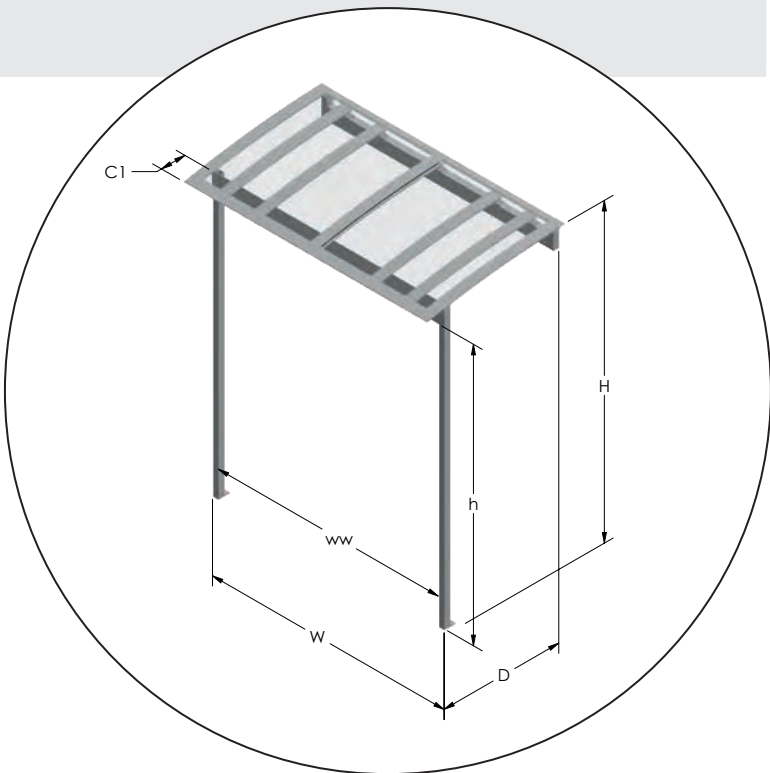
Baked paint quality certified AAMA 2603, AAMA 2604 (on request)

Stainless steel or galvanized hardware (optional anti-theft)

Mechanical anchors (optional chemical anchors)

Stainless steel cable ties for postless option

16 mm RDC polycarbonate roof with UV protection and 0.57 shading coefficient (standard)



	Roofing options			Dimensions												
	Polycarbonate	Corrugated sheet metal	Wood and sheet metal	ww	h	H	S	W	dd	D	Front posts	Back posts	C1	C2	C3	C4
with posts	x	-	-	Max 168	-	4% min	-	Max ∞	-	Max 72	Std 2 x 2 x 3/16	-	8	-	-	-
Cables	x	-	-	-	-	4% min	-	Max ∞	-	Max 36	-	-	-	-	-	-



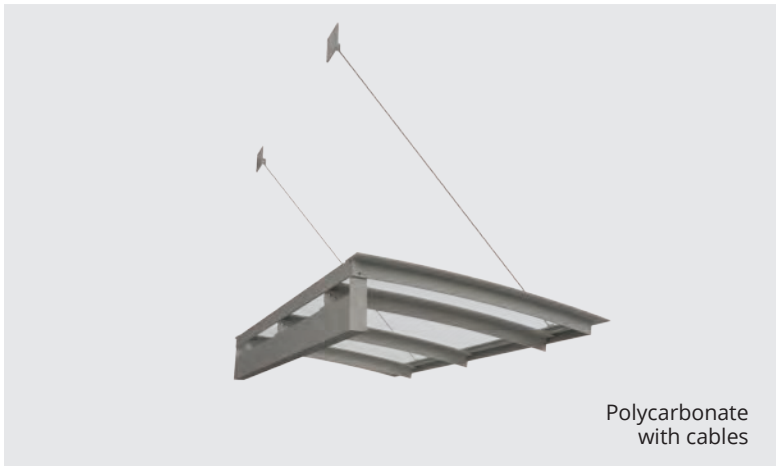
Polycarbonate with posts



Polycarbonate with posts



Polycarbonate with cables



Polycarbonate with cables



Aluminum and glass wall



Privacy panel



Sheet metal



Glass

Wall options

Glass

6 mm on clips for maximum ventilation

Panels with watertight frame

Several finish options for watertight frame: sheet metal, sheet metal and wood, glass, solid or perforated aluminum panels, and more

Privacy panel

Choice of 17 standard models or custom-made

Combination of options

E.g., an aluminum and glass wall

Also available are our doors, windows, sliding doors and 3-season fixed panels. Doors have the same finish options as walls.