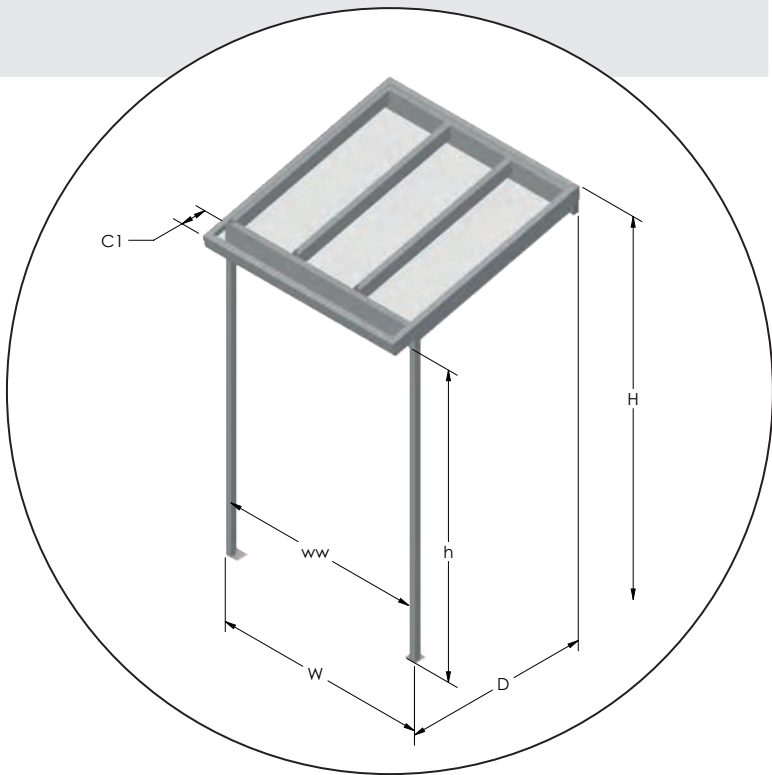
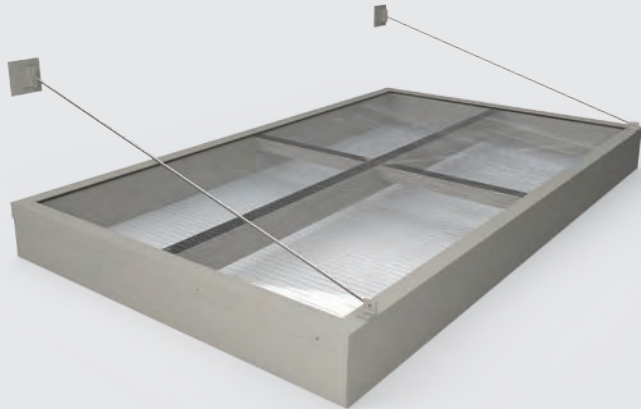


# Zen Series

## Awning Model



**Specialized in Custom Design**

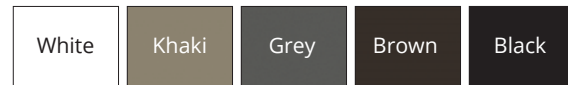
**Aluminum structure**

**Improved load-bearing capacity with front posts  
(available without posts)**

**Flat roof with customized pitch**

**Requires a suitable nailing base**

Standard colours



6061-T6 aluminum frame (3/16-inch thick)  
 Baked paint quality certified AAMA 2603, AAMA 2604 (on request)  
 Stainless steel or galvanized hardware (optional anti-theft)  
 Mechanical anchors (optional chemical anchors)  
 Stainless steel cable ties for postless option  
 16 mm RDC polycarbonate roof with UV protection and 0.57 shading coefficient (standard)

	Roofing options			Dimensions												
	Polycarbonate	Corrugated sheet metal	Wood and sheet metal	ww	h	H	S	W	dd	D	Front posts	Back posts	C1	C2	C3	C4
Posts	x	x	x	Max 168	Max 80	4% min	-	Max ∞	-	Max 72	Std 2 x 2 x 3/16	-	8	-	-	-
Cables	x	x	x	-	-	4% min	-	Max ∞	-	Max 36	-	-	-	-	-	-



Polycarbonate with posts



Polycarbonate with cables



Polycarbonate with posts



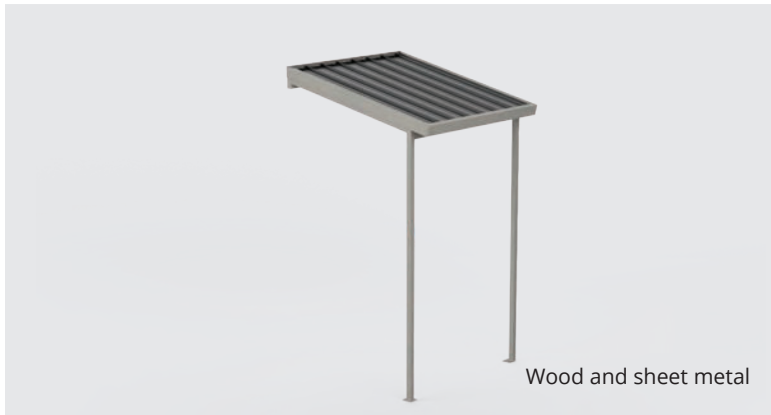
Polycarbonate with cables



Corrugated sheet metal



Corrugated sheet metal



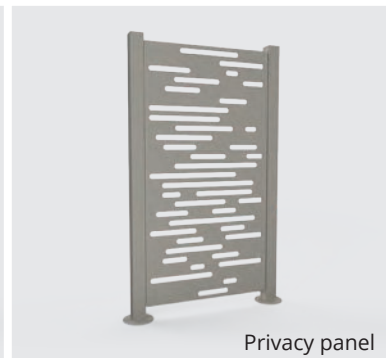
Wood and sheet metal



Wood and sheet metal



Aluminum and glass wall



Privacy panel



Sheet metal



Glass

## Wall options

### Glass

6 mm on clips for maximum ventilation

### Panels with watertight frame

Several finish options for watertight frame: sheet metal, sheet metal and wood, glass, solid or perforated aluminum panels, and more

### Privacy panel

Choice of 17 standard models or custom-made

### Combination of options

E.g., an aluminum and glass wall

Also available are our doors, windows, sliding doors and 3-season fixed panels. Doors have the same finish options as walls.